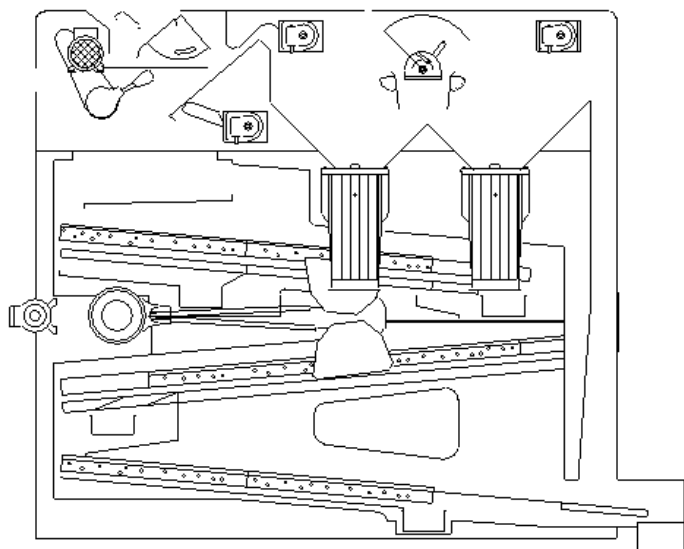


# AIR-SCREEN CLEANER

## DELTA 112

### GENERAL

Brand	Cimbria
Designation	Air-screen cleaner
Model	DELTA 112
Use	Industry
Application	Fine cleaning or industrial cleaning of cereal grains, grass seeds, pulses, oilseeds etc.



### PERFORMANCE

Materials	Bulk density t/m <sup>3</sup>	Moisture content %	Capacity t/h
Barley	0.68	14 (15)	1.75 (5)
Clover	0.82	14 (15)	1
Coffee, green	0.65	14 (15)	2 (2)
Maize	0.71	14 (15)	1.5 (2.5)
Oats	0.51	14 (15)	1.5 (2)
Peas, common	0.7	14 (15)	2 (2-3)
Rapeseed	0.74	7-9	1.5 (2)
Rice, paddy	0.51	14 (15)	1.5 (1.5-2)
Rice, white	0.75	14 (15)	2 (3)
Rye	0.69	14 (15)	1.75 (3-5)
Ryegrass	0.3	14 (15)	0.4
Sorghum	0.64	14 (15)	1.75 (5)
Soybeans	0.72	14 (15)	2 (2-3)
Sunflower	0.4	7-9	1 (1)
Wheat	0.76	14 (15)	2 (3-5)

Legend: Values in parentheses are for industrial cleaning. Other values are for fine cleaning.

Note: Capacities may vary for different impurity and moisture contents.

### DIMENSIONS

Screen area, total	3 m <sup>2</sup>
Screen size	625×800 mm (6 pcs)
Overall length	3 018 mm
Overall height	2 314 mm
Overall width	1 216 mm

### WEIGHT

Weight, empty	1 600 kg
Weight, operating (wheat)	1 640 kg
Weight, choked (wheat)	2 750 kg

### OPERATING SPEED

Shaker feeder (shaft)	140–700 rpm
Screens (shaft), fixed speed	280–285 rpm
Screens (shaft), variable speed	260–320 rpm

### ELECTRICAL RATINGS

Motor, shaker feeder	0.75 kW
Motor, screens	1.5 kW
Control panel	110–230 V

### AIR SUPPLY AND EXTRACTION

Aspiration volume	4 500 m <sup>3</sup> /h
-------------------	-------------------------

### DYNAMIC LOADS

Horizontal load "Ph"	±745 N @ 4.6–4.8 Hz
Vertical load "Pv1" (inlet end)	±544 N @ 4.6–4.8 Hz
Vertical load "Pv2" (outlet end)	±544 N @ 4.6–4.8 Hz

Note: Dynamic loads are for normal operation.

### NOISE

Sound pressure level, empty	79.3 dB(A)
-----------------------------	------------

### COMPLIANCE

EU machinery legislation	Yes
EU ATEX legislation	Option*
EU food contact legislation	Option*

\* Consult your Cimbria dealer for full details.

### ENVIRONMENTAL CONDITIONS

Environment	Indoors
Temperature	From -20°C to +40°C
Altitude	Up to 800 m

### SURFACE PROTECTION

Frame and enclosure	Paint (corrosivity category C2; low durability)
---------------------	---

### LIFETIME

Intended life limit	20 years
---------------------	----------